

T Series

All-round fiber laser metal tube cutting machine
Multiple function options help the laser tube cutting machine be used in numerous tube cutting processes.





max. chuck rotational speed

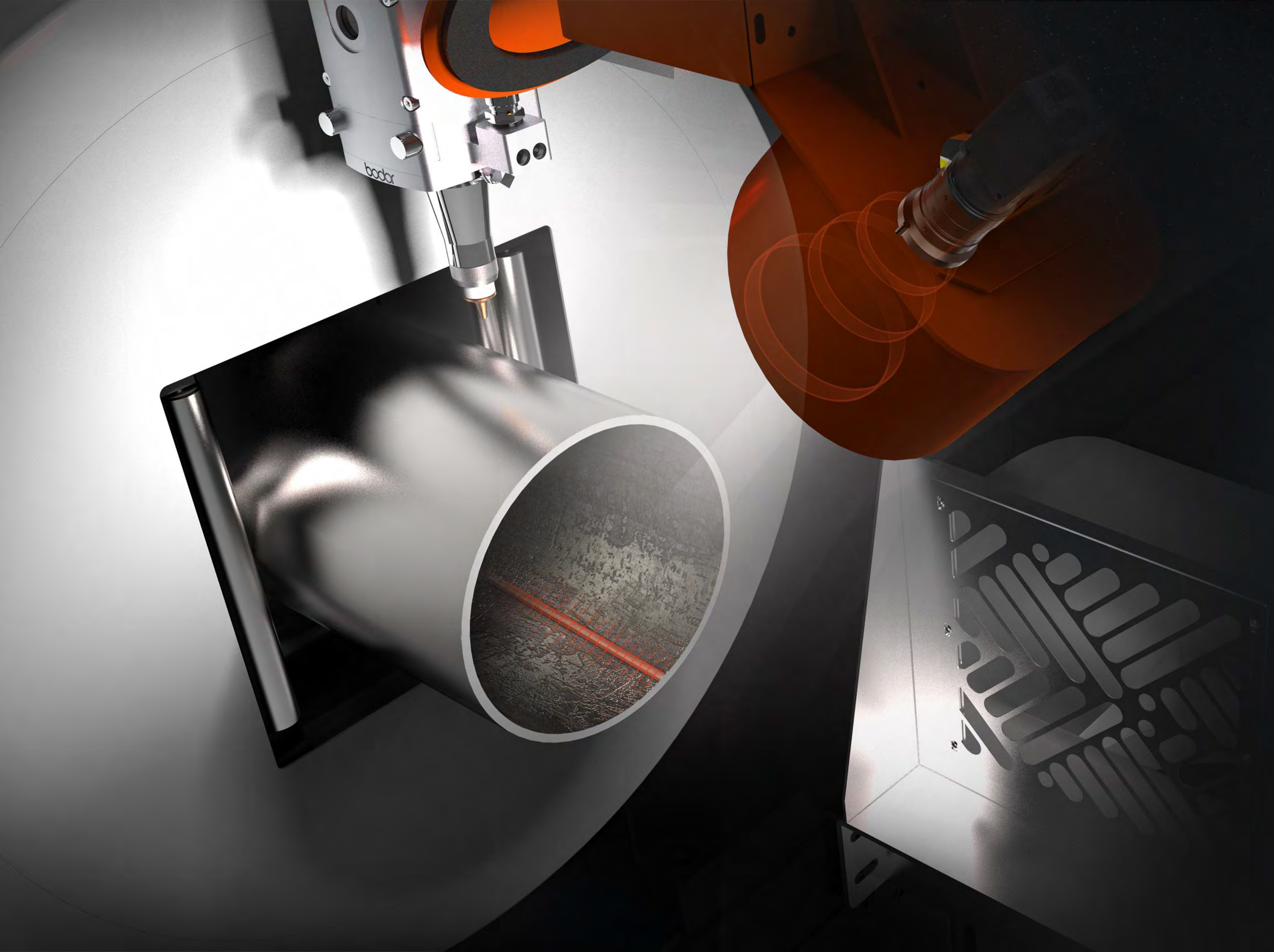
120 r/min



max. chuck horizontal speed

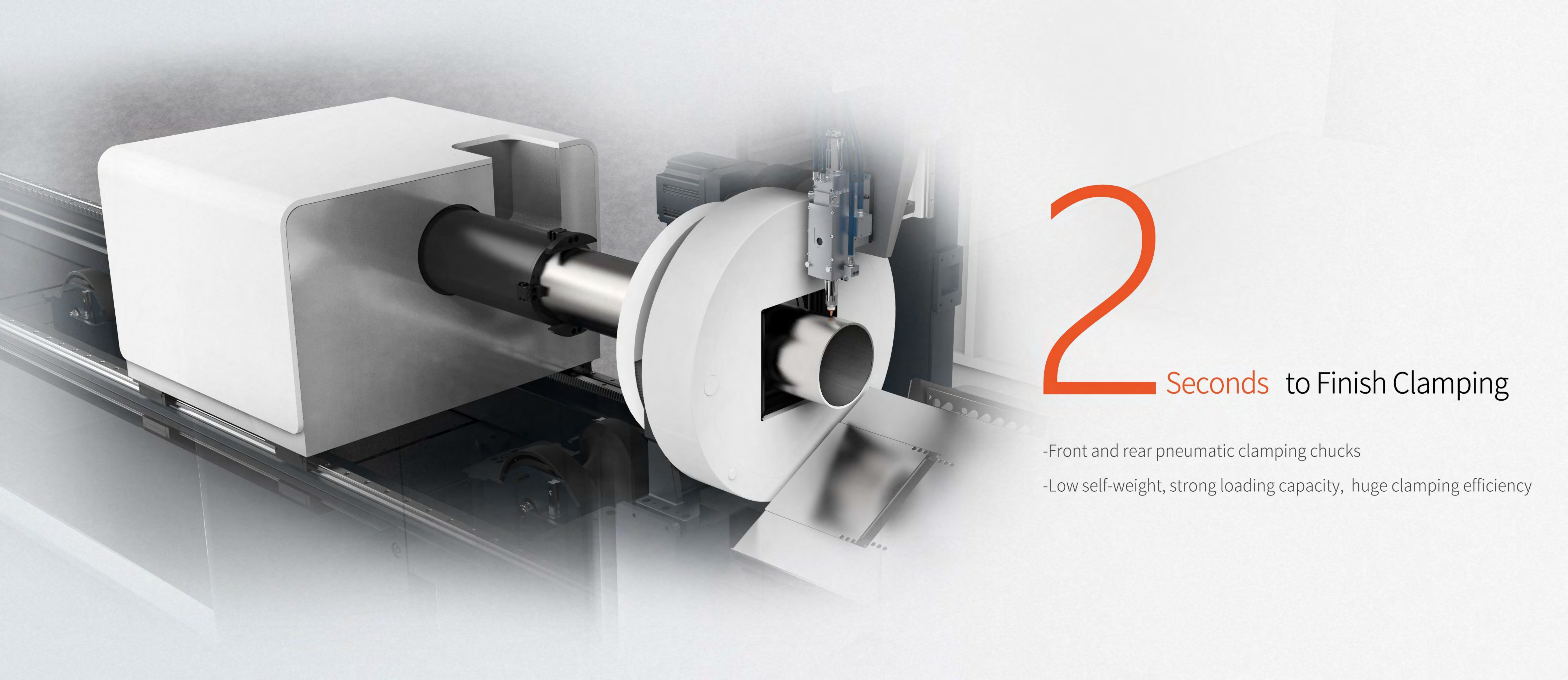
100 m/min

Great increase in dynamic performance



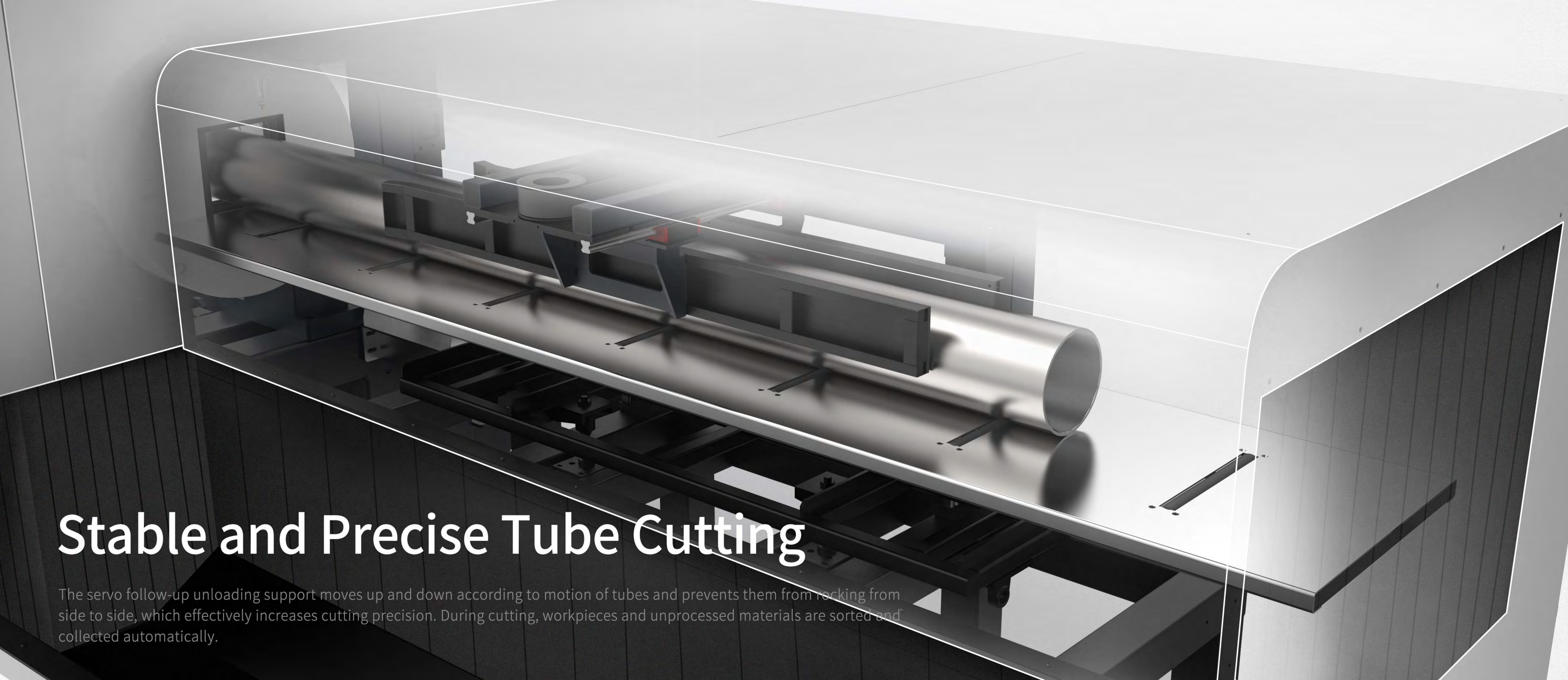
Accurate Detection Maximum Efficiency

Bodor Black Technology - Weld Joint Detection



2 Seconds to Finish Clamping

- Front and rear pneumatic clamping chucks
- Low self-weight, strong loading capacity, huge clamping efficiency



Stable and Precise Tube Cutting

The servo follow-up unloading support moves up and down according to motion of tubes and prevents them from rocking from side to side, which effectively increases cutting precision. During cutting, workpieces and unprocessed materials are sorted and collected automatically.

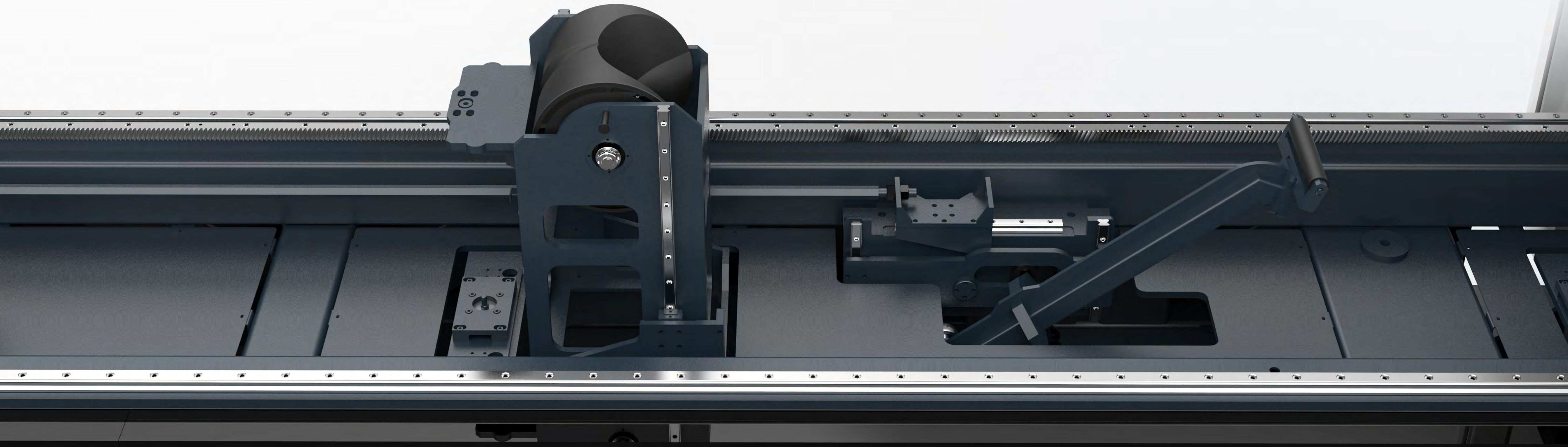


New Follow-up Roller

The follow-up roller keeps supporting tubes automatically while cutting process.

Double Assurance for Stable Cutting

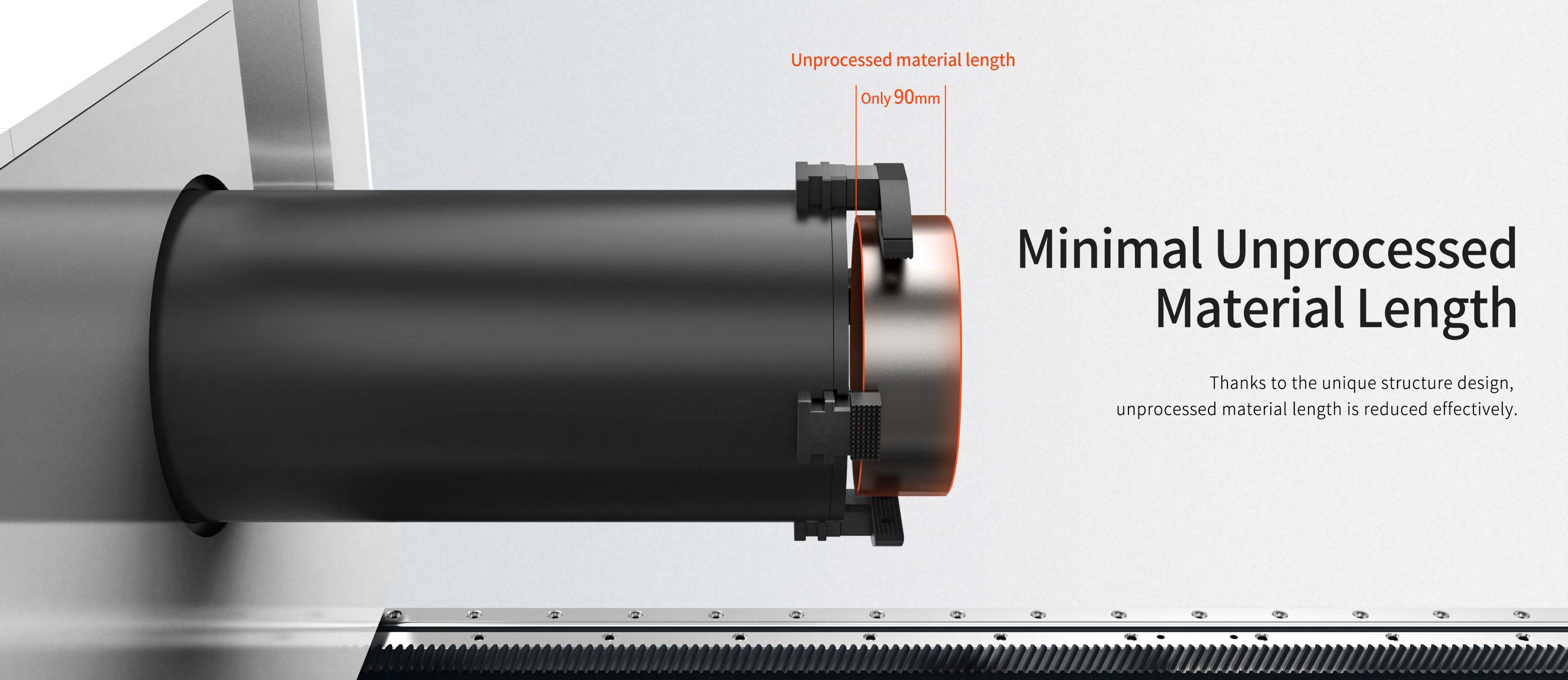
The follow-up roller supports tubes constantly while cutting to guarantee steadiness; The front snail roller prevents tubes from rocking from side to side to improve cutting precision greatly.





Effective and Protective Dust&Fume Extraction

Dusts and fumes are effectively controlled to the minimal with air tube added at the cutting area.



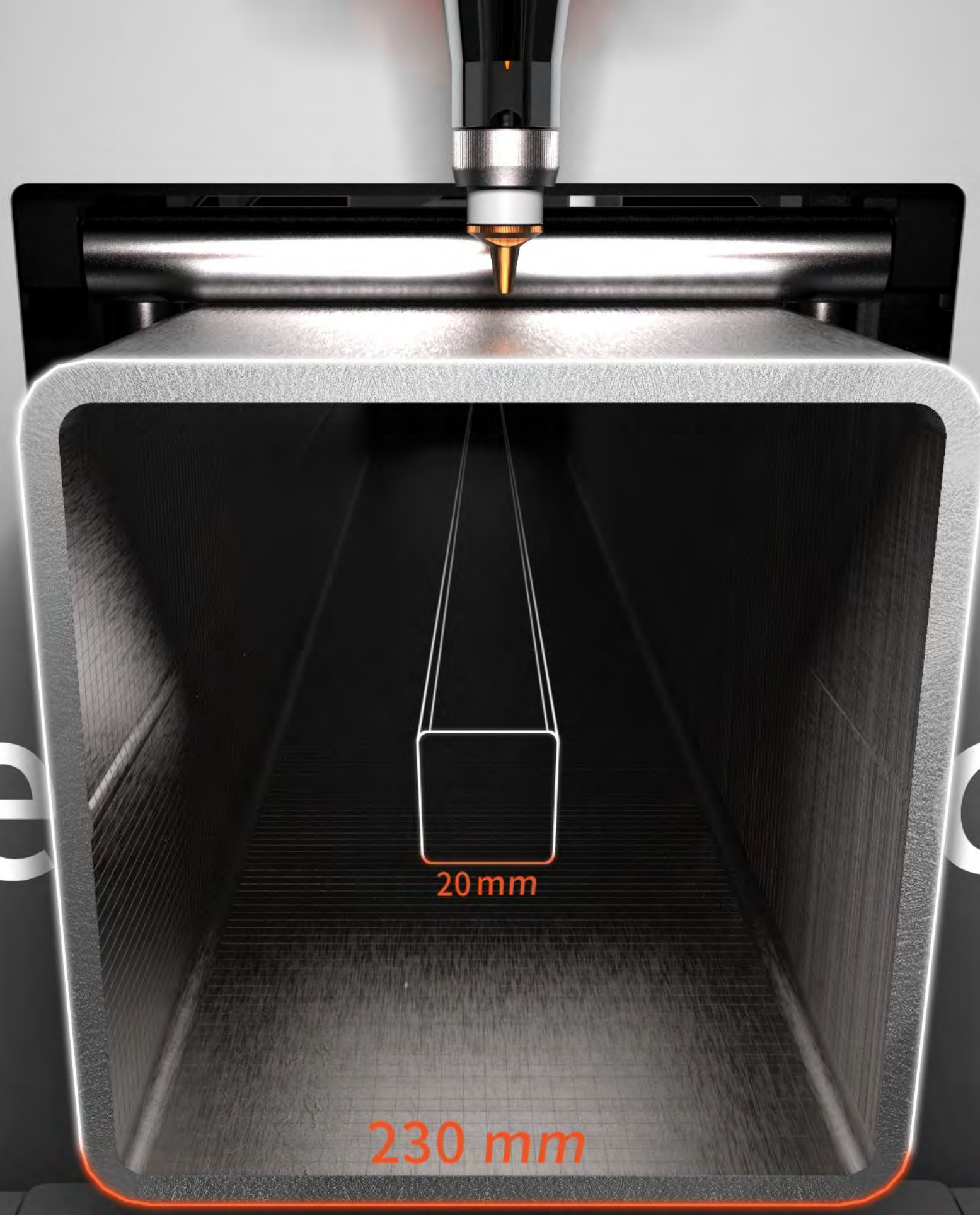
Unprocessed material length

Only 90mm

Minimal Unprocessed Material Length

Thanks to the unique structure design, unprocessed material length is reduced effectively.

Wider tube cutting range

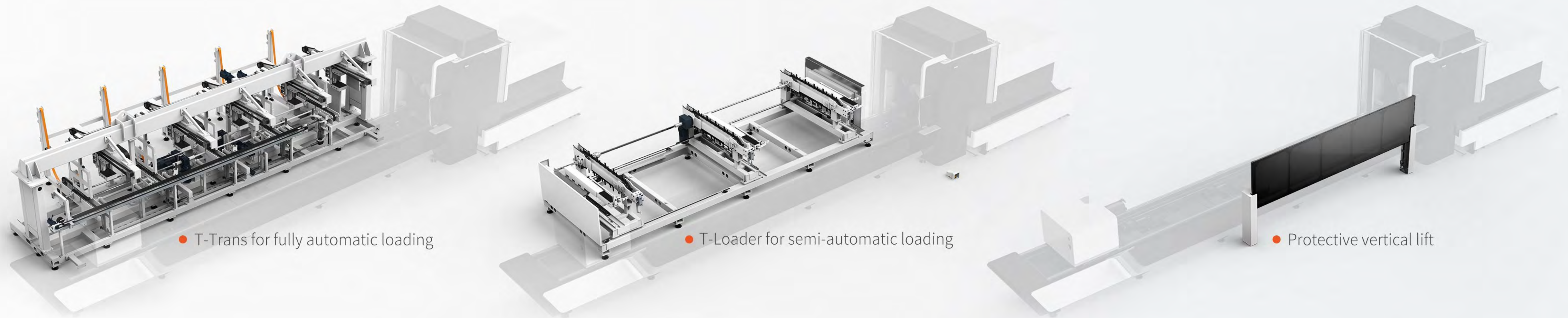


Square and rectangular tube cutting range is expanded up to **20mm~230mm** in outside diameter.

Note: Conventional tube cutting machines can only cut square tubes or rectangular tubes whose diagonal is lower than the diameter of the machine's maximum-size round tube.

High-level Efficiency and Safety

Multiple automation connection interfaces, and huge increase in processing efficiency, with international certifications for safety standard



● T-Trans for fully automatic loading

● T-Loader for semi-automatic loading

● Protective vertical lift

The Black Go Chess



Black Go chess — inspired by Go

Circular — endless loop, endless exploration

Black — derived from obsidian crystal, steady and deep

Elegance in Motion

Here is the unique crest of Bodor family-style design.



ITEM	T230	T230 (9.2m)
Tube cross-sectional shape	Round, square, rectangular, oval, rounded rectangular, Angle steel, channel steel and other tubes	
Tube size range	Round tube $\Phi 20\text{-}\Phi 230\text{mm}$ Square tube $\square 20 - \square 230\text{mm}$ Rectangular tube $230\text{mm} \geq \text{Side length} \geq 20\text{mm}$	
Maximum tube length	4500mm	4500mm
Maximum tube weight	300Kg 46Kg/m	300Kg 32.6Kg/m

A glowing white circle is centered on a dark, starry background. The circle has a soft, ethereal glow around its perimeter. Inside the circle, the text "DARE TO DREAM" is written in a clean, white, sans-serif font.

DARE TO DREAM